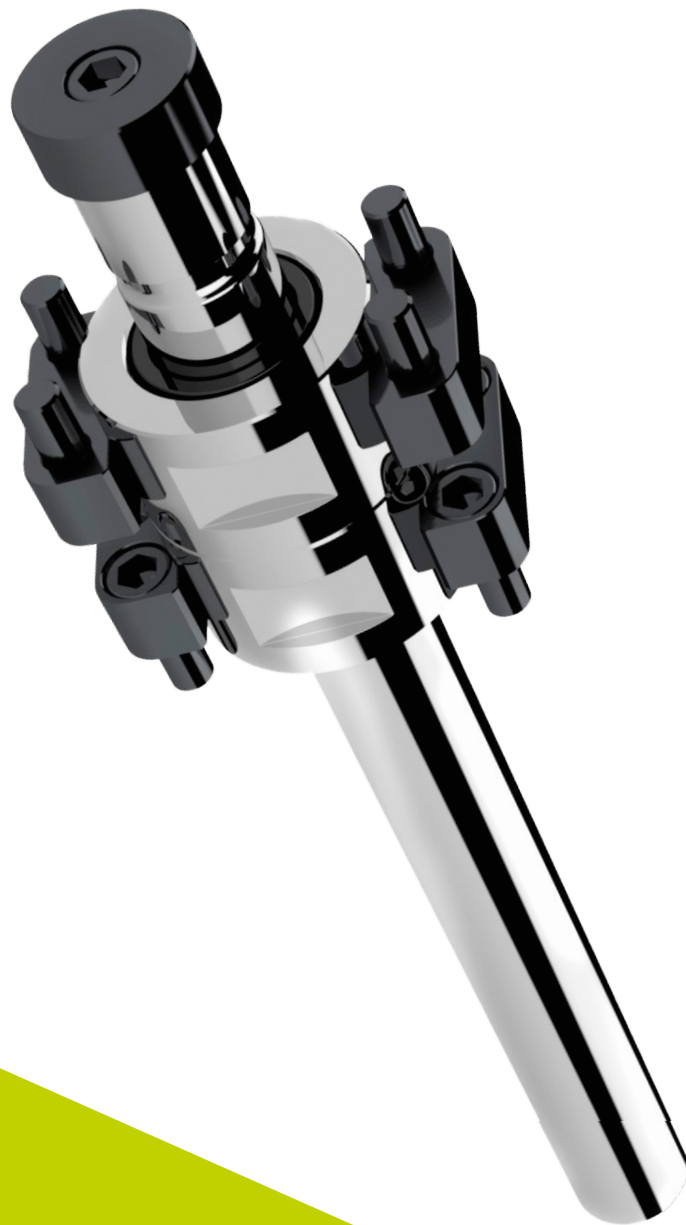


Double Ejection Plates Together



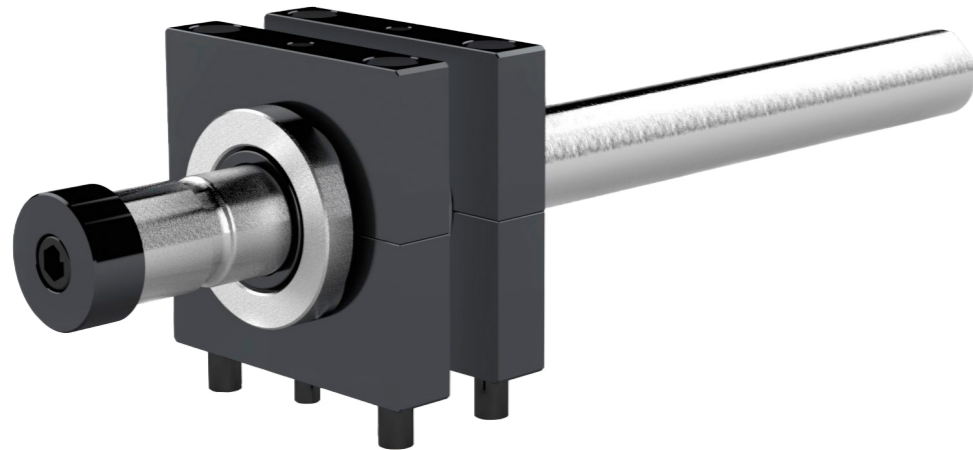
Double Ejection Plates Together

Double Ejection Plates Together

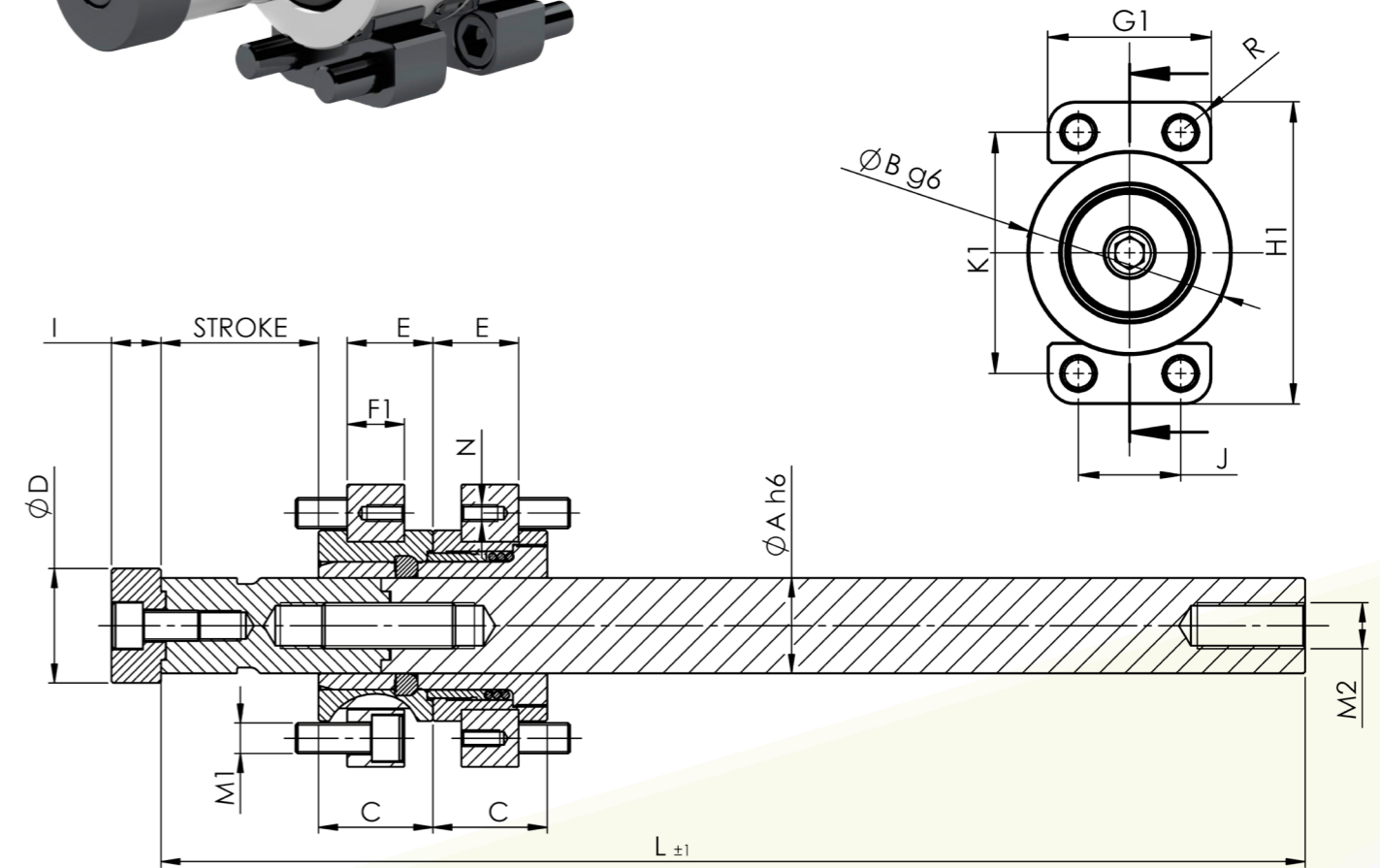
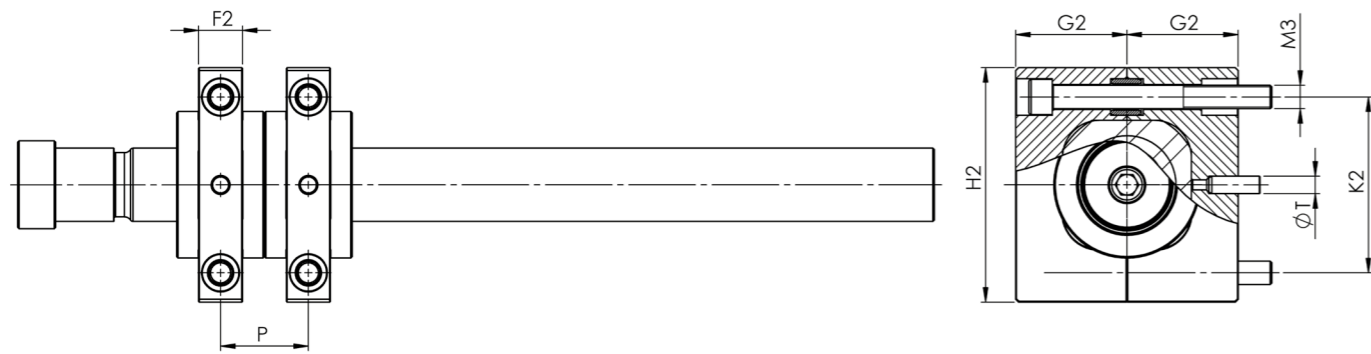
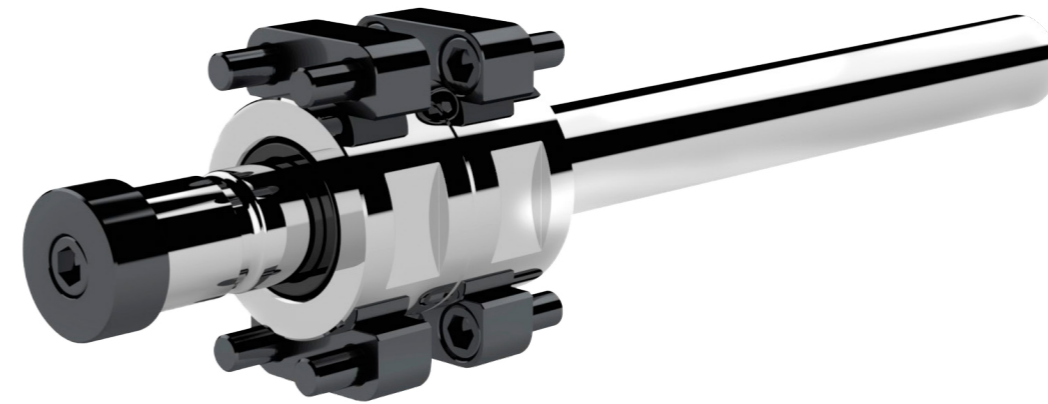
Model for external fixing

Model for internal fixing

PT-14-A
PT-30-A
PT-50-A

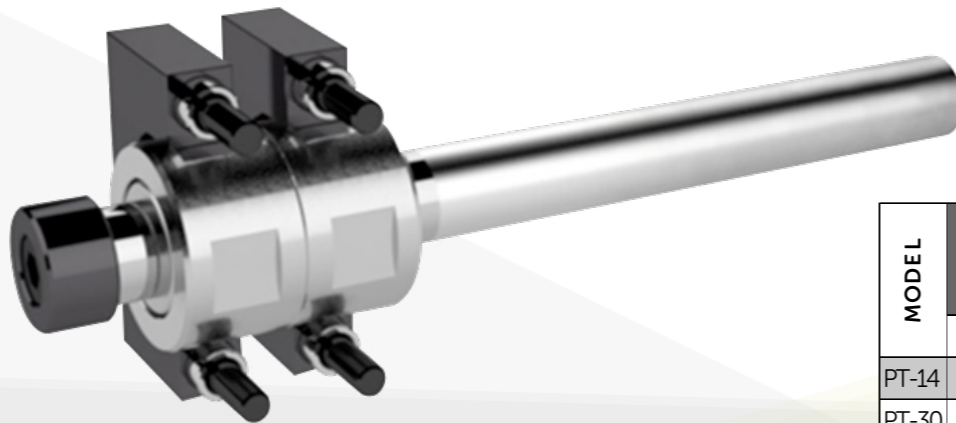


PT-14-B
PT-30-B
PT-50-B



Model for recessed fixing

PT-14-A1
PT-30-A1
PT-50-A1



MODEL	STROKE	
	MIN	MAX
PT-14	5	150
PT-30	5	180
PT-50	5	220

	GENERAL DIMENSIONS																						
	A	B	C	D	E	F1	F2	G1	G2	H1	H2	I	J	K1	K2	L	M1	M2	M3	N	P	R	T
PT-14	14	30	18	18	14	10	10	24	24	50	49	10	13	39	39	250	M5	M8	M5	M4	18	55	4
PT-30	30	60	36	36	29	22	22	60	52	106	104	15	32	80	76	450	M12	M16	M12	M6	36	13	10
PT-50	50	100	60	60	45	30	30	80	76	148	160	26	50	118	120	600	M16	M24	M16	M8	60	13	12

Double Ejection Plates Together

Application example

