

## Synchronized Plate Ejection



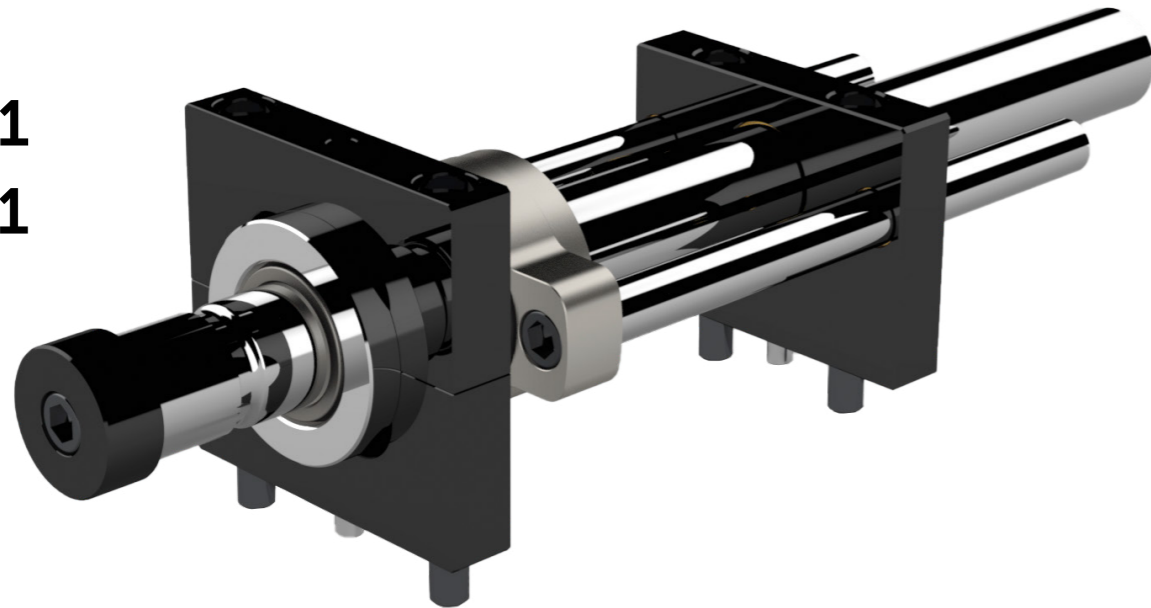
**PS**

# Synchronized Plate Ejection

# Synchronized Plate Ejection

## Option for external fixation

- PS-30-A
- PS-50-A
- PS-30-A1
- PS-50-A1



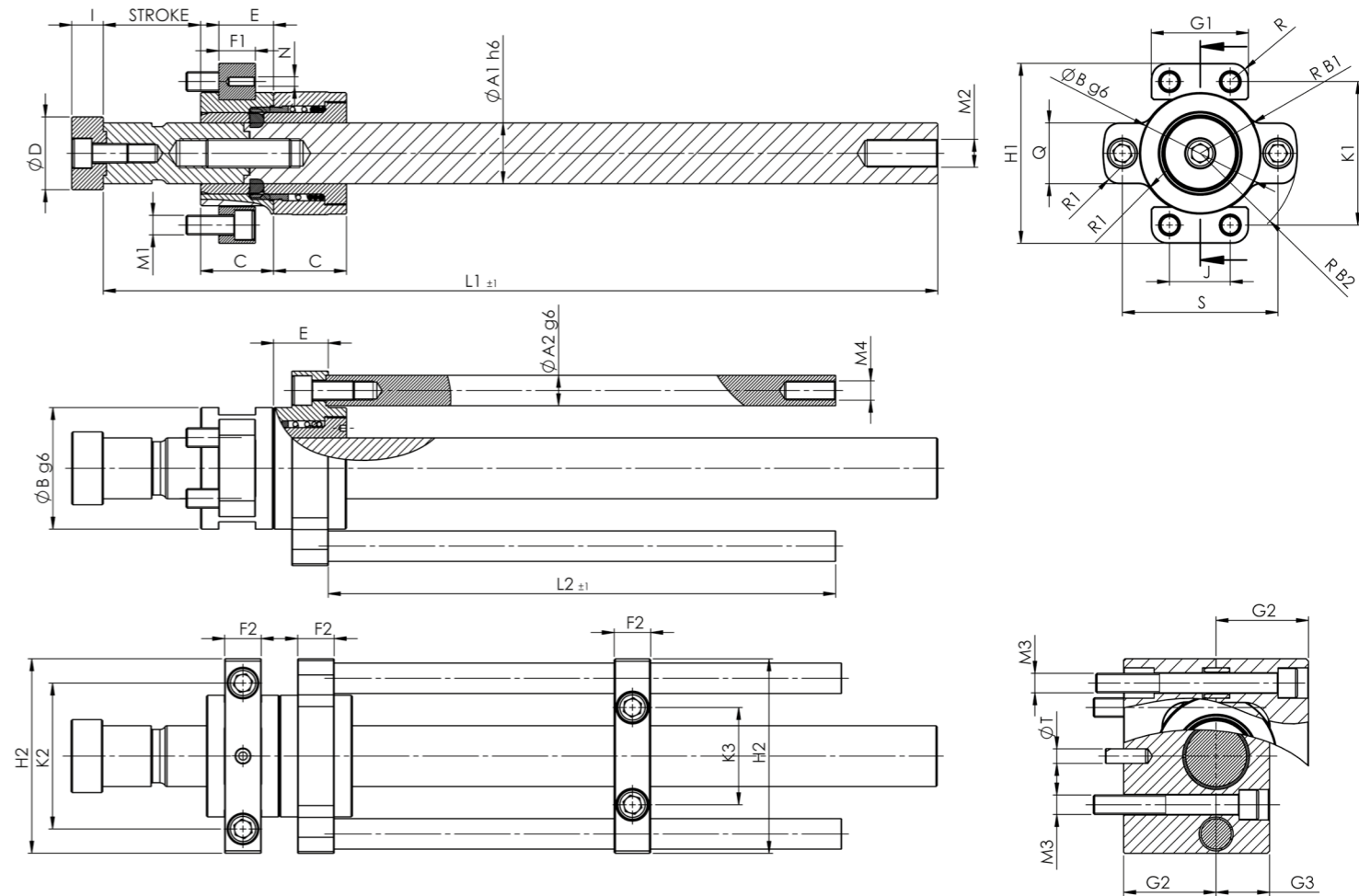
## Option for internal fixation

- PS-30-B
- PS-50-B



	STROKE	
	MIN	MAX
PS-30	5	180
PS-50	5	220

- PS-30-B
- PS-50-B

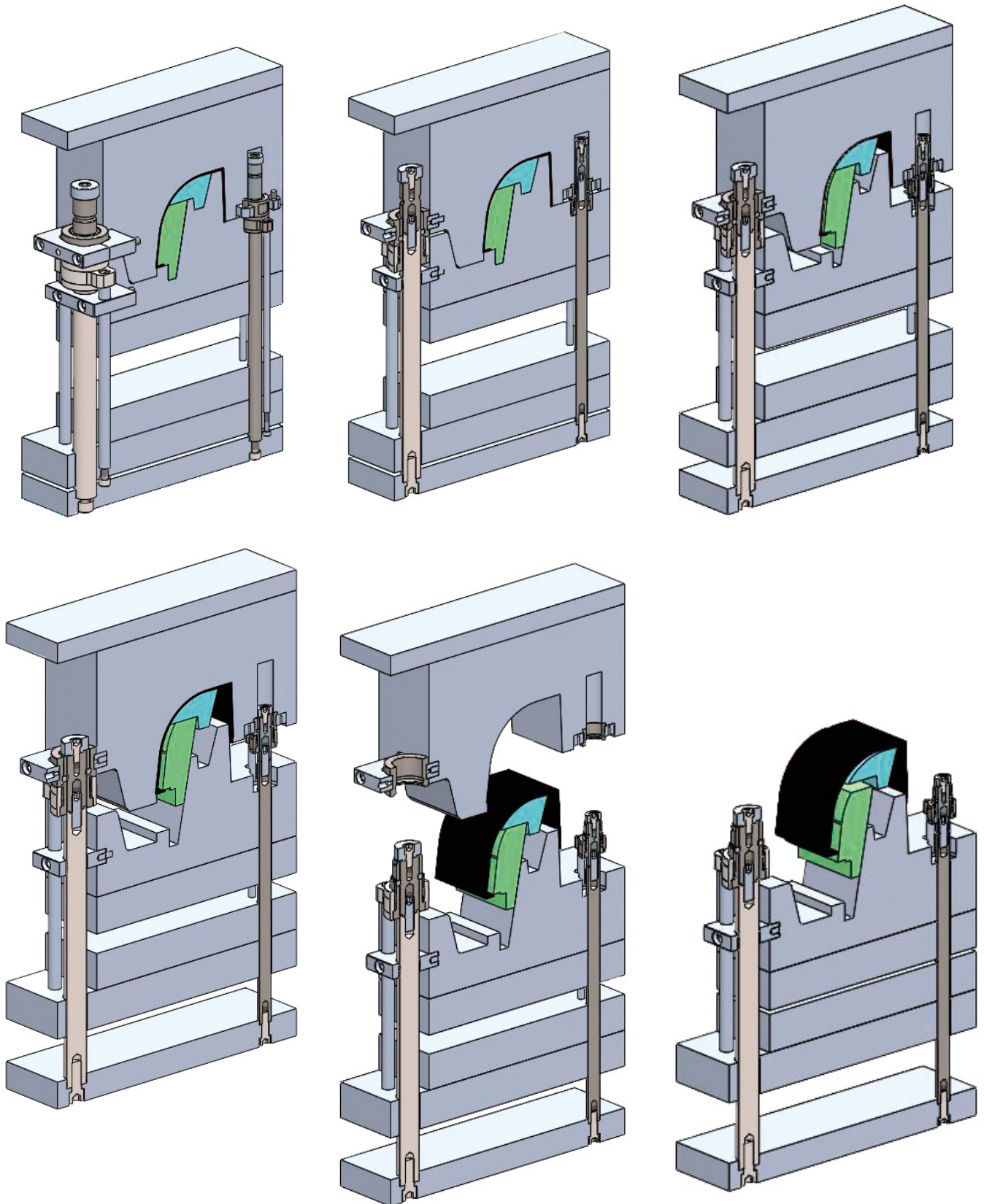


- PS-30-A      PS-30-A1
- PS-50-A      PS-50-A1

	GENERAL DIMENSIONS															
	A1	A2	B	C	D	E	F1	F2	G1	G2	G3	H1	H2	I	J	K1
PS-30	30	14	60	36	36	29	22	22	60	52	24	106	104	15	32	80
PS-50	50	25	100	60	60	45	30	30	80	76	44	148	160	26	50	118
	K2	K3	L1	L2	M1	M2	M3	M4	Q	N	R	R1	RB1	RB2	S	T
PS-30	76	48	450	298	M12	M16	M12	M10	26	M6	13	8	10	49	78	10
PS-50	120	80	600	348	M16	M24	M16	M16	50	M8	13	12	12	80	128	12

# Synchronized Plate Ejection

## Application example



AHP Merkle Ibérica, Lda.

Rua de Leiria nº 93, Embra | 2430-091 Marinha Grande | Portugal  
Tel.: +351 244 200 301 | [www.pt.ahp.de](http://www.pt.ahp.de)

**AHP MERKLE**<sup>®</sup>  
IBÉRICA LDA